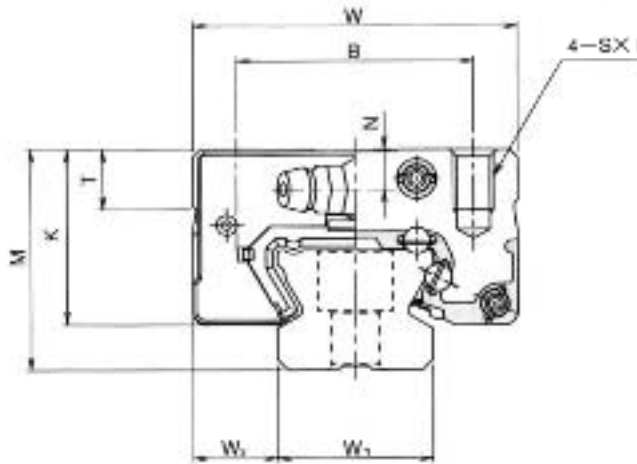




High Rigidity Radial Type LM Guide

FEATURES

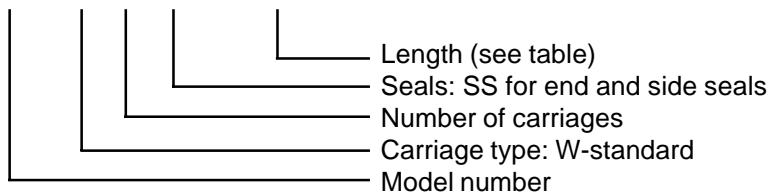
- High radial rigidity
- Smooth motion under radial load conditions
- Quiet operation
- Compact and heavy-duty
- Excellent durability
- Low rolling resistance



THK Model Number	Outline Dimensions			LM Block Dimensions									Grease Fitting
	Height H	Width W	Length L	B	C	S	I	L1	T	K	N	E	
SR20W	28	42	66.5	32	32	M5	8	46.6	7.5	22	6	12	B-M6F

Catalog Number Logic

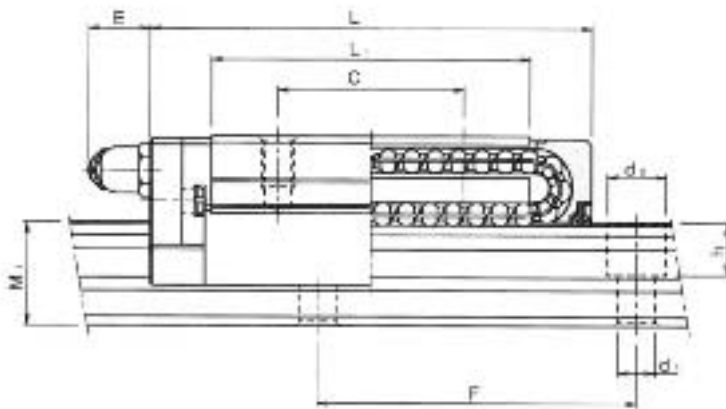
SR20 W 2 SS + 220L





Type SR - High Radial Load

LM Guide type SR is low-profile and compact. It is equipped with four rows of balls optimally configured for the highest load carrying capacity in radial direction. The ball contact surfaces are perpendicular to the vertical line of force so that this LM Guide is ideally suitable for horizontal guide mechanisms. The blocks are equipped with polyurethane seals on both ends and the bottom to help keep lubricants in and dirt and debris out.



LM Rail Dimensions					Basic Load Rating		Weight	
Width	W ₂	Height	Pitch	d ₁ x d ₂ x h	C	C ₀	LM Block	LM Rail
W ₁		M ₁	F		kN	kN	kg	kg/m
20	11	15.5	60	6x9.5x8.5	12.5	25.2	0.4	2.1

Standard Lengths - mm

SR20

- 420
- 2032
- 2094
- 3000
- 4170
- 4300