



Miniature Micrometer Positioning Slides

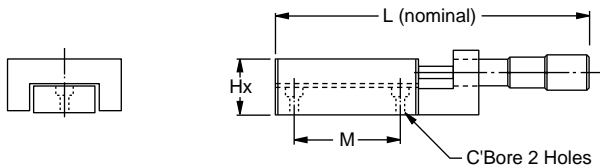
• LOAD CAPACITY 4 TO 60 LBS.

SPECIFICATIONS

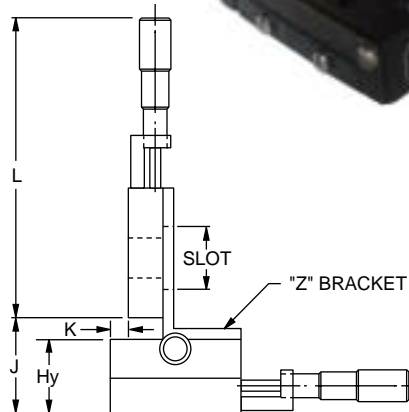
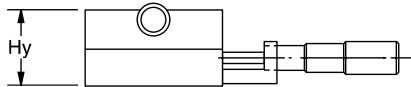
Straight Line Accuracy	.0005" / inch of travel
Positional Repeatability	.0001"
Drive	Micrometer, .001" graduations
Material	Aluminum & Stainless Steel
Finish	Black Anodize



Single Axis (X)

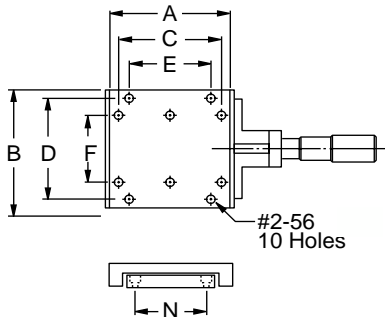


Double Axis (X, Y)

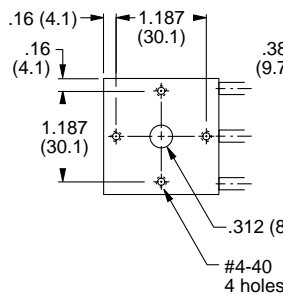


Three Axes (X, Y, Z)

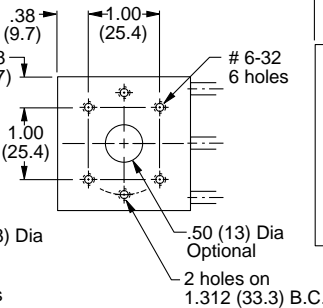
Carriage Mounting Directions



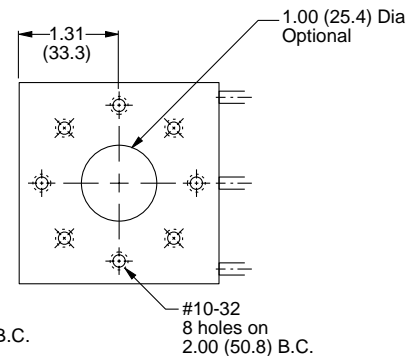
Model 101



Model 301



Models 450, 451



Models 751

H14D88-□□□

X Single Axis
Y Double Axis
Z Three Axis

EXAMPLE: To order an XY Miniature Micrometer Positioning Slide with 1" travel, 20 lbs. Static Load Capacity (**451**) & a Double Axis (**Y**), the Catalog Number is **H14D88-451Y**

All linear dimensions are expressed in inches.

Model	Travel	A	B	L	H _x	H _y	J	K	Slot	Static Load Capacity (lbs.)	
										X, XY	XYZ
101	.50	1.25	1.25	3.25	0.38	0.75	0.62	0.38	-	4	1.25
301		1.50	1.50	3.50	0.62	1.25	1.62	0.32	.312 Ø hole	12	6
450		1.75	1.75	4.38	0.75	1.50	2.00	Flush	.50 x 1.00	20	6
451		5.88									
751	1.00	2.62	2.62	6.75	1.00	2.00	2.62	0.06	1.00 x 1.50	60	6