

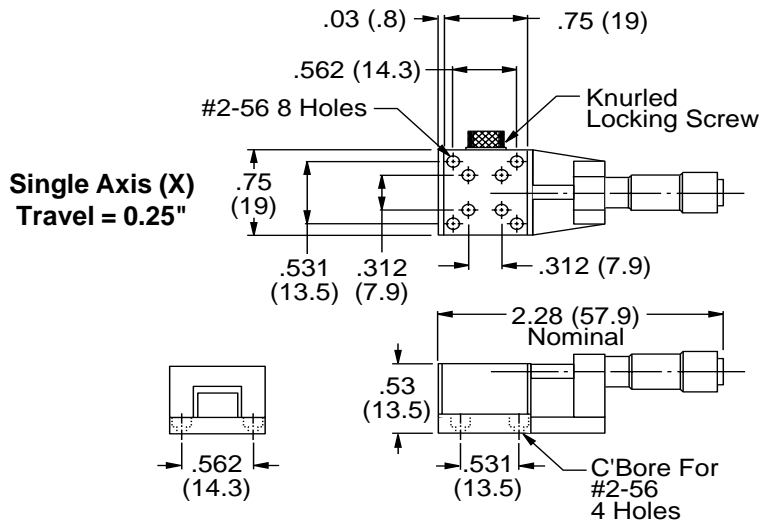


Subminiature Positioning Slides

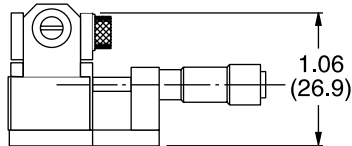
• LOAD CAPACITY TO 5 LBS.

SPECIFICATIONS

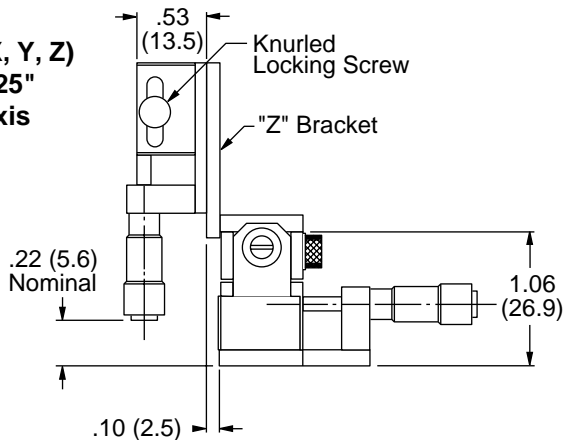
Straight Line Accuracy	.0005" / inch of travel
Positional Repeatability	.0001"
Drive	Micrometer, .001" graduations
Material	Aluminum & Stainless Steel
Finish	Black Anodize



**Double Axes (X, Y)
Travel = 0.25"
for each axis**



**Three Axes (X, Y, Z)
Travel = 0.25"
for each axis**



SUBMINIATURE POSITIONING SLIDES

CATALOG NUMBER

H14D87-99

- X Single Axis
- Y Double Axis
- Z Three Axis