

# CNC machine

with servo motor drive

**FLATCom®**  
M series

## Features

- 5-axis machining
- moving portal, fixed bench
- maintenance-free motors

### FlatCom M 40

with open hood and options: spindle motor, tool changer, VakuFit vacuum clamping plate, length measuring key, CoolMin tool cooling, CNC joystick



## Technical specifications

	FLATCom® M 20	FLATCom® M30	FLATCom® M40	FLATCom® M50
Processing areas X/Y [mm] *	700 / 600	700 / 900	1,200 / 900	1,200 / 1,400
Z lift [mm]	150 (optional 250, in each case without processing unit)			
Bench clamping area W x D [mm]	750 x 750	750 x 1,000	1,250 x 1,000	1,250 x 1,500
Z gap [mm] *	200 (optional 300, in each case without processing unit)			
Dimensions WxDxH [mm]	1,420 x 1,150 x 1,870	1,420 x 1,450 x 1,870	1,920 x 1,450 x 1,870	1,920 x 1,950 x 1,870
Processing speed X/Y/Z	max. 250 mm/s			
Repeat accuracy [mm]	± 0.02			
Drive motors	Servo motors			
Drive elements X/Y/Z	Recirculating ball drive, adjustable for no play			
Controller	iMD CAN controller with 3 drive controllers, expandable to 12 axes (max. 6 interpolated & 6 handling axes), PC, I/O module, safety circuit with rest state monitoring, power supply unit 48 V / 1000 W			
Operation	Control panel iOP-19-TFT			
Weight (kg)	approx. 300	approx. 340	approx. 450	approx. 525
Software	Windows, WinRemote (optional: ProNC, isy 2.8)			
Connection values	230V, 16A		400V, 16A	
Part-no. (Z lift = 150 mm)	276023 52455E	276033 52455E	276043 52455E	276053 52455E
Part-no. (Z lift = 250 mm)	276023 53455E	276033 53455E	276043 53455E	276053 53455E

\* without mounted components on the axes !

# CNC machine

## with servo motor drive

**FLATCom®**  
M series

### Features

- Portal gap: 200mm, optional 300mm
- Maintenance-free servo motors
- Maximum spindle motor size up to 1.5 kW
- Available with or without protective hood
- Ideal for multi-shift operation
- Control panel iOP-19-TFT
- Control PC iPC 25 including PCI card Win 7/64 bit

### Areas of applications

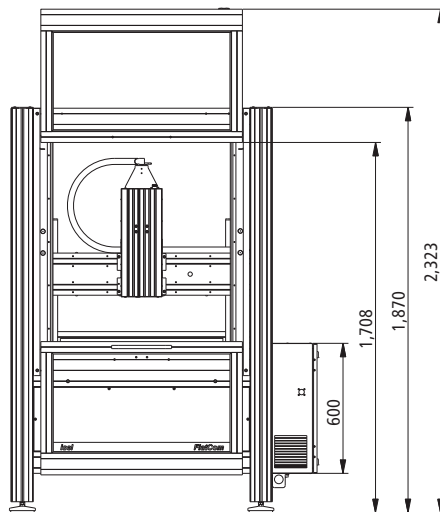
For the machining of:

- Plastics
- Wood
- Foams
- Plexiglas

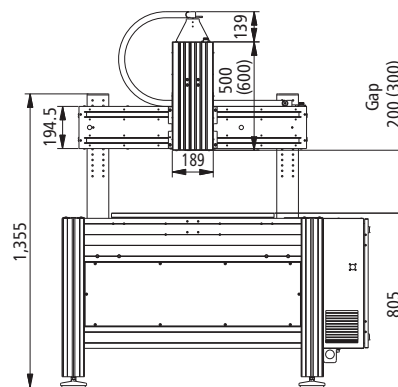
### Options

- PC control console with free PCI plug-ins (for use by external PCI hardware)
- Safety light curtain
- Milling and engraving spindles
- SK11/SK20 automatic tool change stations
- Minimum quantity lubrication or CoolMin cooling system
- Vacuum clamping benches
- Suction device
- 4th axis e. g. RDH series installation
- Version without hood
- Maximum 6 interpolated axes + 6 handling axes
- Portal gap 300 mm
- Pneumatic sliding door

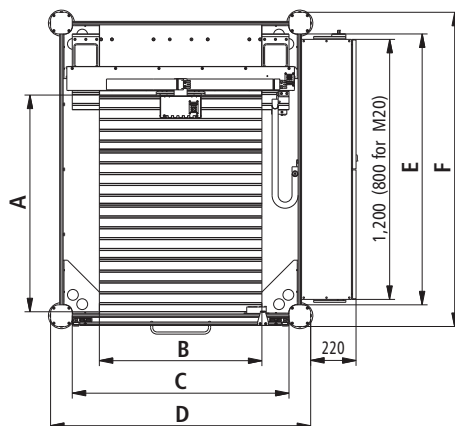
### Dimensioned drawings



FlatCom with sub-frame and hood



FlatCom with sub-frame and without hood



	A	B	C	D	E	F
FlatCom M20	750	750	1,000	1,200	950	1,150
FlatCom M30	1,000	750	1,000	1,200	1,250	1,450
FlatCom M40	1,000	1,250	1,500	1,700	1,250	1,450
FlatCom M50	1,500	1,250	1,500	1,700	1,750	1,950

Technical specifications subject to change.