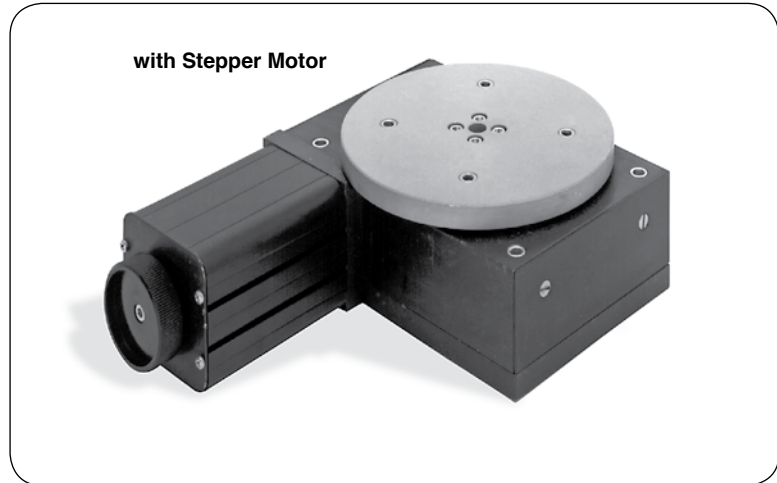


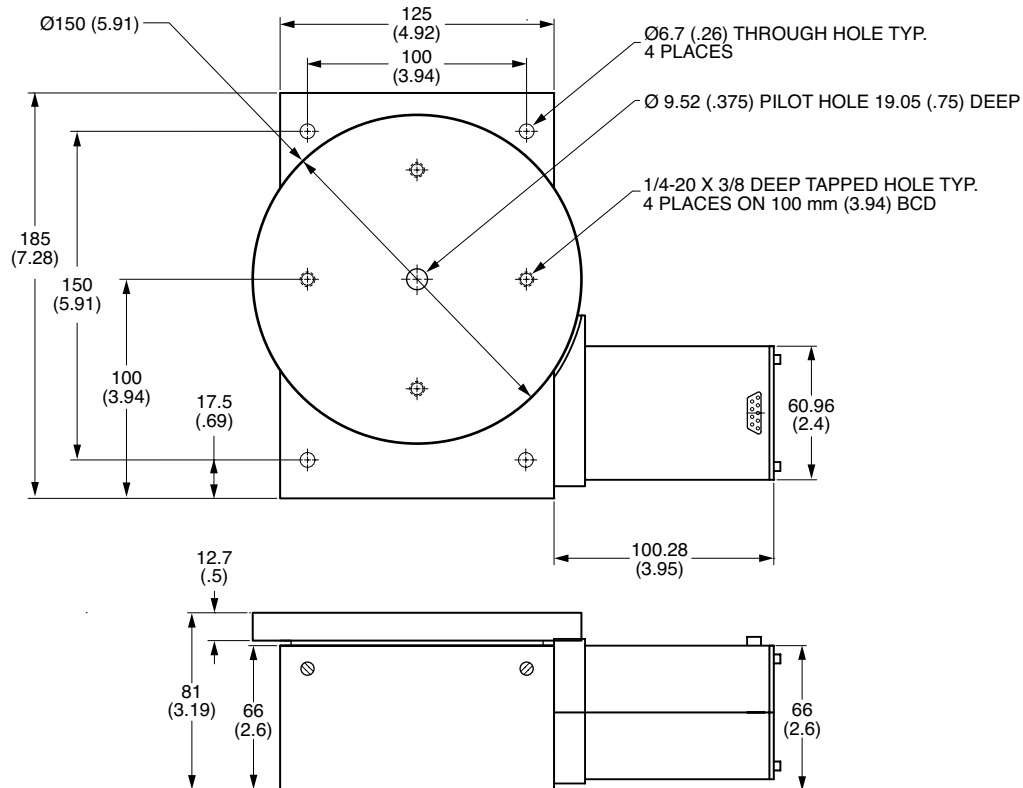
FEATURES:

- Special anti-backlash worm & gear set, providing 100:1 reduction
- Moderate load capacity (up to 50 lbs vertical load)
- Sealed against dust and contaminants
- Includes precision inductive proximity HOME sensor
- All models with stepper motor option feature 125 oz·in stepper motor
- All models with servomotor option feature 1000 line driver optical rotary encoder, 200W servomotor option and 100W servomotor option
- Versatile mounting surfaces
- Sturdy single-piece aluminum case
- Heavy-duty chrome plated steel table top with integral shaft
- Includes 4 tapped 1/4-20 x 3/8 holes for mounting



Catalog Number	Part Description
HS3600M15890ST	Stepper Motor
HS3600M15890SV	Servomotor, 200W
HS3600M15890SL	Servomotor, 100W

For mating connectors and cables, see page 119.



(Drawing shown with servomotor)

See Web site for complete CAD drawings

SPECIFICATIONS	Stepper Motor	Servomotor
Table Diameter	150 (5.9)	
Table Height	81 (3.2)	
Bolt Circle, Diameter	100 (3.9)	
Center Hole, Diameter	Ø9.52 (.375)	
Center Hole, Depth	19.05 (.75)	
Maximum Speed	60 deg / sec	135 deg / sec
Resolution	.009°	0.0009°
Maximum Torque	5.65 N·m (50 lb·in)	
Load Capacity, Horizontal	0.91 kg / mm (50 lb/in)	
Load Capacity, Vertical	23 kg (50 lb)	
Homing Accuracy	.038°	
Repeatability	< 5 arc sec	
Flatness	0.03 (.001) TIR	
Concentricity	0.04 (.0015) TIR	
Weight	4 kg (8.8 lb)	4.5 kg (9.9 lb)
Accuracy	5 arc min	
Backlash	2.5 arc min	

PROXIMITY SWITCH DATA	
Type: NPN, Normally Closed	
Brown Lead	+V _s
Black Lead	Output
Blue Lead	0V
Power Supply Range	10 - 30V DC

NOTE: Dimensions in () are inch