

FEATURES:

- DC brushless servos provide high torque & precision
- 4th & 5th rotary axis optional
- Ball screw driven
- Complete with controls, I/O, cabling and ProNC software
- Built-in industrial computer
- Sliding front door with safety interlock

APPLICATIONS:

- Dispensing
- Testing
- Drilling
- Assembly
- Pick-and-Place
- Inspection



TECHNOMOD GANTRY

CATALOG NUMBER

HL33VBM

Model

030
045
055

Electric
C with electric
X without electric

Electric
C with door & plexiglass covering
X without door & plexiglass covering

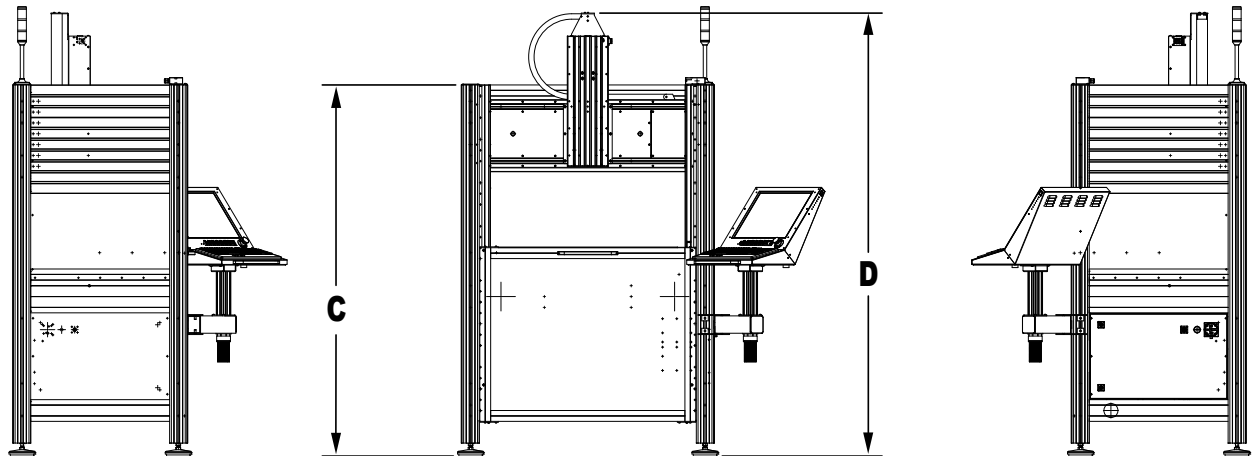
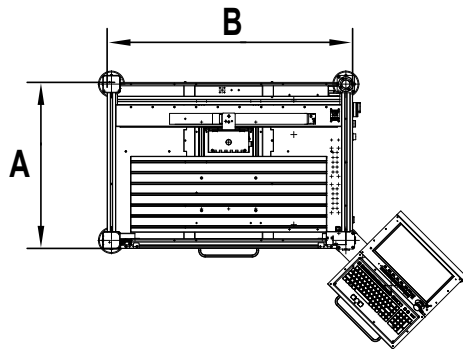
GANTRY SELECTION

Model	Travel Size (X x Y x Z)	Machine Bed Size (W x L)	Overall Size Machine Dimensions
030	650 x 300 x 275	900 x 350	1160 x 600 x 1550
045	650 x 450 x 275	900 x 500	1160 x 1101 x 1550
065	650 x 650 x 275	900 x 700	1160 x 1510 x 1550

EXAMPLE: To order a TechnoMod Gantry Model (030), with door and plexiglass covering (C), and electric (C), the Catalog number is **HL33VBM30CC**.

For information on SAC motion control software, see page 135.

For mating connectors and cables, see page 119. For motor standoffs and couplings, see page 107.



Model	Travel			A	B	C	D
	X	Y	Z				
030	650	300	275	800	1160	1710	2042
045	650	450	275	1110	1160	1710	2042
065	650	450	275	1510	1160	1710	2042

SPECIFICATIONS	MODEL 030	MODEL 045	MODEL 065
Work Envelope (X x Y)	650 x 300	650 x 450	650 x 650
Machine Bed Size (W x L)	900 x 350	900 x 500	1200 x 700
Repeatability	≤ 0.02	≤ 0.02	≤ 0.02
Resolution	0.0025 mm	0.0025 mm	0.0025 mm
Maximum Speed	250 mm /sec.	250 mm /sec.	250 mm /sec.
Bridge Clearance	320 mm	320 mm	320 mm
Z-Axis Travel	275 mm	275 mm	275 mm
Accuracy	0.1 mm / 300 mm	0.1 mm / 300 mm	0.1 mm / 300 mm
Maximum Z-Axis Load	34kg (75lbs)	34kg (75lbs)	34kg (75lbs)

NOTE: Dimensions in () are inch