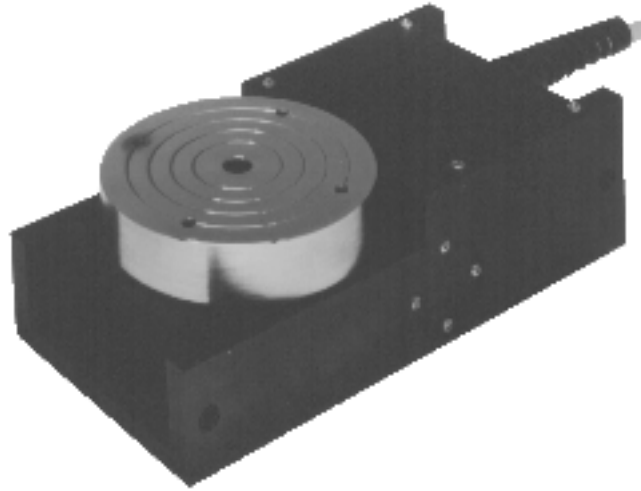
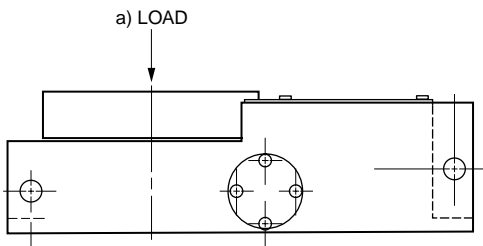


## First you must determine

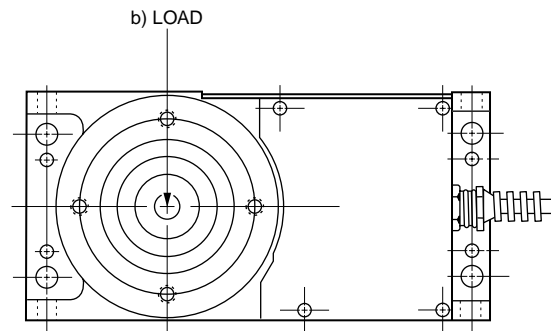
- 1) Load
- 2) Orientation of Load
  - a) Table is horizontal, load is acting perpendicular to surface
  - b) Table is vertical, load is acting parallel to surface
- 3) Maximum speed (rpm)
- 4) Resolution needed
- 5) Maximum torque required



Refer to each rotary table's data sheet to match these requirements to the table's specifications.



SIDE VIEW OF ROTARY TABLE



TOP VIEW OF ROTARY TABLE