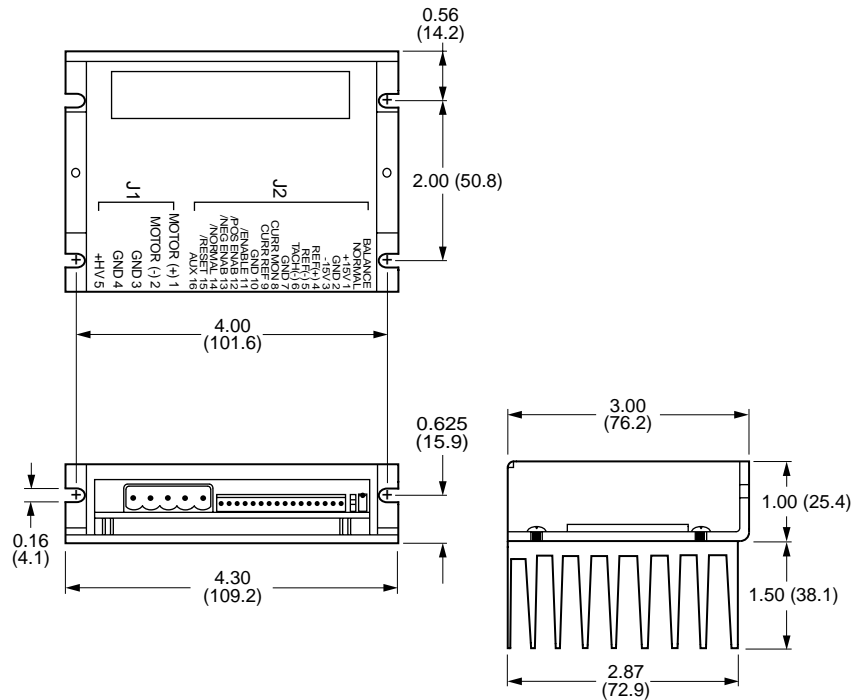


FEATURES

- ◆ 95% efficiency for very low heat dissipation
- ◆ 25 kHz PWM switching for no audible noise
- ◆ Completely protected against overvoltage, short circuits and overtemperature
- ◆ 3 kHz bandwidth
- ◆ Provided with a heat sink (not shown)
- ◆ Screw terminal power connections
- ◆ External enable signal to turn amplifier On/Off
- ◆ Can be used in torque mode or velocity mode
- ◆ Single voltage supply required
- ◆ Standard bookshelf mounting configuration
- ◆ Crimp-contact Molex connector provided for signal connections



| SPECIFICATIONS | Catalog Number |
|-----------------------------|------------------|
| | H20C17-4122P-01X |
| Peak Current | ± 12A |
| Continuous Current | ± 6A |
| Voltage Supply | +22 to +90V DC |
| Input Signal | ± 10V DC |
| PWM Frequency | 25 kHz |
| Operating Temperature Range | 0°C - 50°C |
| Motor Inductance | 200μH to 40mH |
| Weight | .75 lbs |



TYPICAL CONNECTIONS

