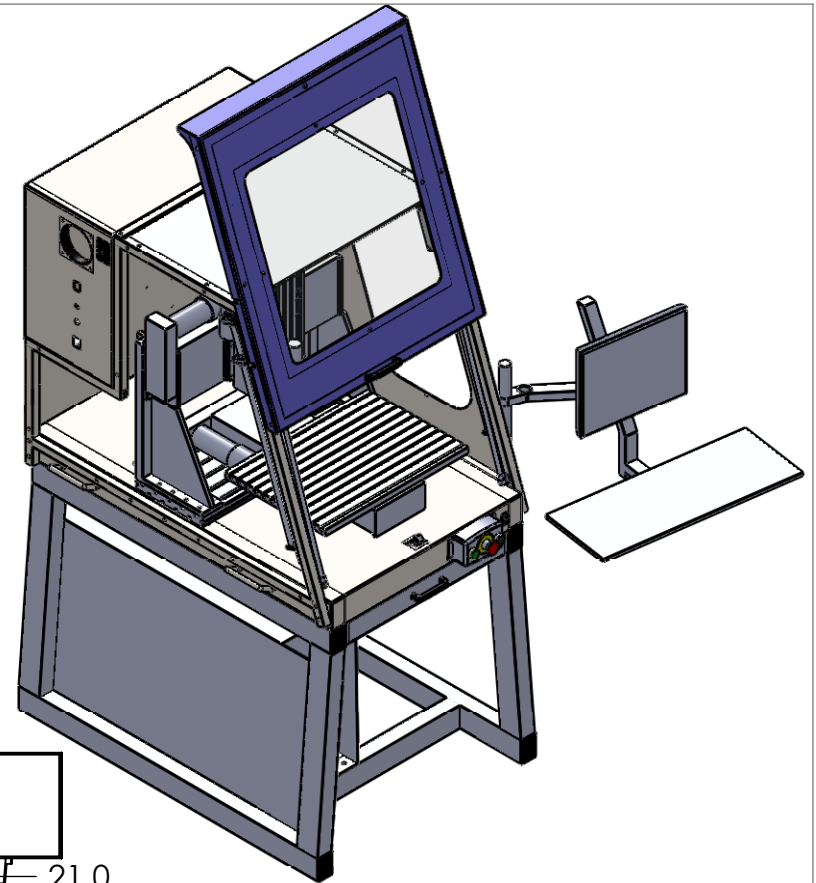
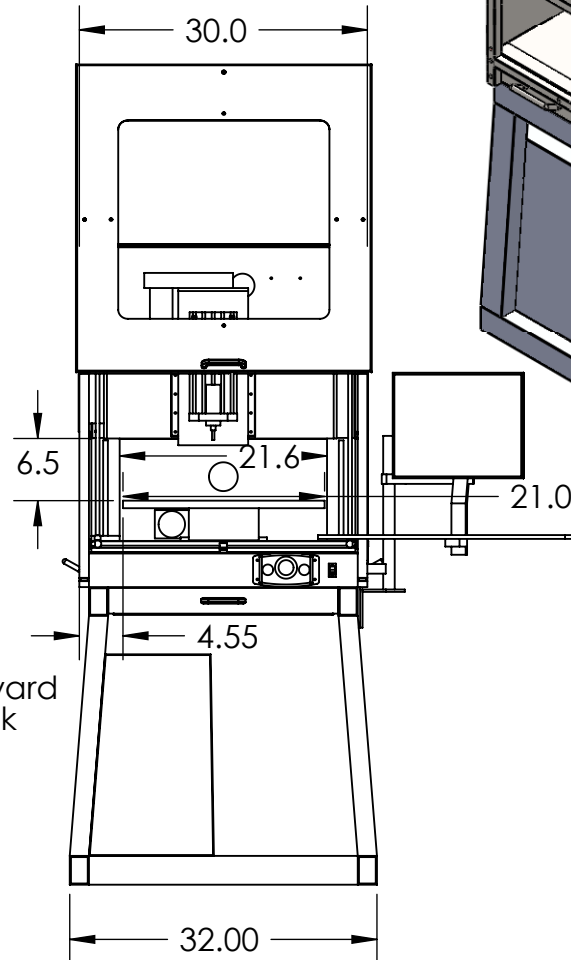


Y Axis
Shown forward
Moves back
by 14"



Notes:
Patriot outline drawing
For robot integration (side removed)
Stand, computer, touchscreen monitor
and monitor arm shown here all
optional.

When at Y- max, the 4.44 dim
becomes 18.44

Techno CNC This drawing is by ESF

Unspec Tol: .005+ .001